



RF6L1-120P

Rotating Beacon

Heavy-duty Warning Light for Industrial Applications

New LED
Version!



The Tri Lite Mars RF6L1-120P is a heavy-duty, rotating warning beacon that features a newly designed LED module. Built for rugged efficiency, the module features six hi-powered Luxeon LEDs mounted in the base of the unit. A reflector rotates above the LEDs to emit a bright and focused light that demands attention – day or night. The beacon can be used for indoor or outdoor signaling, process control, warning, and safety applications. Each unit can be easily mounted to almost any surface. Once in place, a shatter-resistant polycarbonate dome and a strong anodized aluminum base ensure long lasting performance.

Proven Reliability That Doesn't Break the Bank!



Domes are available in five colors.

We've updated our popular RF6 120 VAC rotating beacon to incorporate efficient LED technology. It's now one of the most cost-effective warning beacons on the market! LEDs last thousands of hours longer than incandescent bulbs, are visibly brighter, and drastically reduce power draw. The many benefits of LED lights can't be ignored.

Why make the switch to LED?

- The Mars LED module is rated at 50,000 hours, versus 300 hours for incandescent bulbs.
- Power draw is 66% lower for the LED module. It uses less than 250 mA at 120 VAC.
- At 850 lumens, the RF6L1 is brighter than any previous version of the beacon.
- High quality optics; the LED module is more durable than PAR 36 lamps.

Key Features:

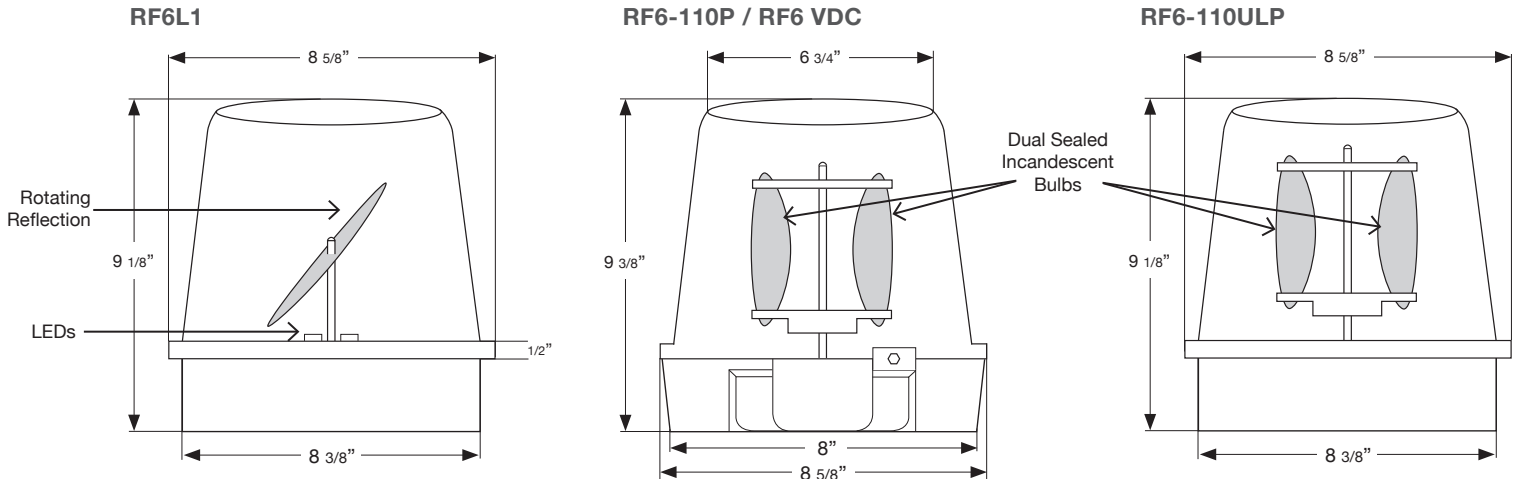
- Rated for continuous use
- 5-year limited warranty
- Energy efficient
- UL and cUL listed
- Made in the USA



RF6 AC/DC Specifications

Tri Lite's RF6 family of warning beacons is growing! These beacons have always been a great value, but now there are more options available. Choose your preferred voltage, dome color, and lamp type; you can even choose between UL or Non-UL listed. All models are suitable for electrical box, surface, pipe, or wall mounts.

Physical Specifications



Technical Specifications

RF6L1-120P: 120 VAC, 250mA

RF6-110ULP: 120 VAC, 800mA

RF6-110P: 120 VAC, 800mA

RF6 VDC: 12 VDC, 4.7A

70 – 80 flashes per minute.

Domes are made of shatter-resistant polycarbonate.

Ship weight for RF6L1 is under 5 lbs.

Ship weight for all other RF6's is under 7 lbs.

Part Number Replacement Part Information

| Part Number | Replacement Part Information |
|-------------|--|
| 200514 | Amber Dome |
| 200513 | Red Dome |
| 200512 | Blue Dome |
| 200516 | Green Dome |
| 200515 | Clear Dome |
| RFMAG | Magnetic Mount Kit |
| 420420 | RF6 120 VAC and RF6 12 VDC Incandescent Lamp |
| 420610 | RF6 24 VDC Incandescent Lamp |
| 800570 | RF6 VAC / VDC Drive Belt |

| Part Number | Product Information | Lamp Type |
|--|------------------------------------|--------------|
| RF6L1-120P/* | 120 VAC, UL Listed Permanent Mount | LED Module |
| RF6-110ULP/* | 120 VAC, UL Listed Permanent Mount | Incandescent |
| RF6-110P/* | 120 VAC, Permanent Mount | Incandescent |
| RF6-12P/* | 12 VDC, Permanent Mount | Incandescent |
| RF6-24P/* | 24 VDC, Permanent Mount | Incandescent |
| * Specify Dome Color A – Amber, B – Blue, C – Clear, G – Green, R – Red | | |

Visit us at www.triliteinc.com for a complete list of products and replacement parts.