



DLCGN INSTALLATION INSTRUCTIONS

IMPORTANT SAFETY INFORMATION

CAUTION! This fixture is designed for installation in non-hazardous locations in accordance with the National Electrical Code and applicable local electrical codes. This device must be plugged into an appropriate electrical supply with a grounded receptacle.

DLCGN-P and DLCGN-PLED variations only:

CAUTION! Never use halogen type lamps; this product is intended for use with LED type bulbs only. Incandescent lamp use not recommended.

CAUTION! Risk Of Burns, Do Not Operate Without Guard. See Assembly Instructions.

DLCGN MODEL VARIATIONS

Model DLCGN-P is provided with a standard medium-base socket (E26) and is only intended for use with PAR38 LED bulbs. Customers must supply their own bulb in accordance with the stated wattage limitations per the markings on the luminaire.

Model DLCGN-PLED has identical construction as the DLCGN-P and a specialty PAR38 LED bulb is included with the unit. The included bulb has a heavy-duty reinforced screwshell for impact resistance and specialty optics for optimal lighting of standard trailers. Replacement bulbs can be purchased directly from Tri Lite – contact info@triliteinc.com for more information.

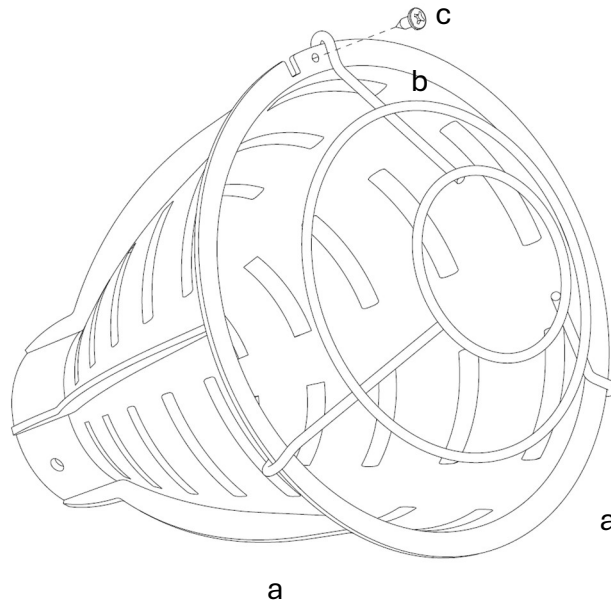
Model DLCGN-L2 has a permanent, integrated LED light module in the head; no bulb is needed.

SETUP AND MOUNTING

1. Select a sturdy mounting location, a convenient distance from a suitable power source and which allows the light head to be oriented as desired. Mount the unit as close to the loading dock door track as possible, without interfering with the door or exposing the unit directly to the elements. Recommended mounting height is 4 to 5 feet from the floor to the bottom of enclosure. The unit is supplied with a 6ft power cord.

Note: The DLCGN is only intended for mounting to a flat, vertical surface. Horizontal/angled mounting or mounting to rough, uneven surfaces is not recommended. If possible, it is recommended to place the unit where the flex arm will not need frequent adjustments, to ensure maximum arm longevity.

2. Remove the two fasteners located at the top of the plastic enclosure cover. DO NOT discard these screws, as they will be needed to reinstall the front cover. Lift the bottom of the enclosure cover and slide the cover up along the length of the flexible arm to access interior components and mounting plate.
3. Using the template provided, or the wall bracket of the unit, mark and drill four holes for the mounting fasteners (not included). Fully threaded 1/4" bolts with expansion anchors are recommended for most installations, but exact fastener type and length should be chosen so they are appropriate for the mounting location. Fastener head diameter should be about 1/2" to ensure a proper fit with the keyhole slots in the mounting bracket. Allow the fastener heads to protrude at least 1/8" from the wall so the unit can be slotted into place.
4. Align the bracket with protruding fasteners and slide into place. Tighten fasteners and confirm that the unit is firmly mounted. The unit should not be able to rock, twist, or rotate off the mounting fasteners. If the unit seems loose, adjust fasteners as needed.
5. Slide the enclosure cover back down into place, ensuring that no internal wiring has come loose or is at risk of being pinched and/or damaged. Reattach the cover with the screws removed in step 2. Screws should be reinstalled so they are hand-tight – DO NOT OVERTIGHTEN SCREWS.
6. For DLCGN-P and DLCGN-PLED units only, install a PAR38 LED bulb (not included with the DLCGN-P) into the light head socket and install the wire guard. To install the wire guard:
 - a. Hook the first two arms around the edge of the lampshade.
 - b. Pass the third arm through the slot on the edge. Rotate the wire guard clockwise, so all arms are fully hooked around the lampshade edge.
 - c. Install the provided #6 self-tapping screw to prevent the wire guard from rotating out of place.



7. Plug the unit in and power on using the rocker switch located on the bottom of the unit. Adjust the flex arm by gripping the desired flex point and moving the light head as needed.

Note: It is recommended that the flex arm always be adjusted to allow for the smallest amount of bending possible. Repeated manipulation of tight arm bends may lead to premature wear. **The flex arm should not be bent to a radius smaller than 4 inches** – bending the arm to a radius tighter than 4 inches can lead to permanent mechanical failure and will void the product warranty.

WARRANTY

Tri Lite, Inc. warrants the DLGN to be free from defects in material and workmanship and to conform to the written specification for three (3) years from the date of purchase. Complete warranty terms and conditions can be found at www.triliteinc.com/resources/

Tri Lite Inc. is not responsible for damage to its product caused by misuse, neglect, accident, shipping, abuse, maintenance, cleaning procedures, use or attempts to operate above its rated capacity or that otherwise deviate from the parameters established in the applicable specifications; or to products that have been improperly installed, stored, maintained, repaired or altered by anyone other than Tri Lite Inc.; or have had their serial numbers or month and year of manufacture or shipment removed, defected or altered. Any actions cited above shall terminate this Warranty and shall relieve Tri Lite from any further responsibility. Tri Lite Inc. shall not be liable for any incidental, special, or consequential damages in any claim action, suit or proceeding arising under this Warranty or any other part of the agreement of sale between Tri Lite Inc. and the Purchaser, nor shall there be any liability hereunder for claims for labor, loss of profits or goodwill, repairs or other expenses incidental to the replacement. This warranty does not extend to any system into which a product is incorporated. No other warranty, including warranties of merchantability or fitness for a particular purpose, is given concerning such service or any other service provided by Tri Lite Inc. under this Agreement. This warranty applies only to the Purchaser and may not be assigned or extended by the Purchaser to any of its customers or other users of the Items. Tri Lite Inc. will not accept any returns from the Purchaser's customers or users of the Purchaser's products.

Product specifications are subject to change without notice.

SERVICE CONTACT INFORMATION

For customer support, please contact:

Tri Lite Inc.

(800) 322-5250

www.triliteinc.com/contact-us

DLCGN MOUNTING BRACKET HOLE PATTERN

