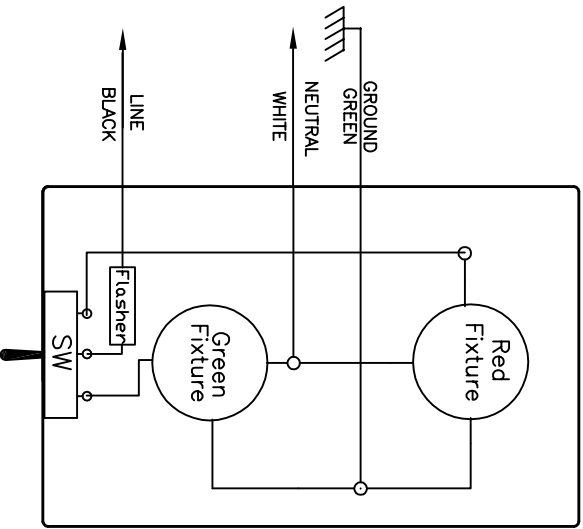




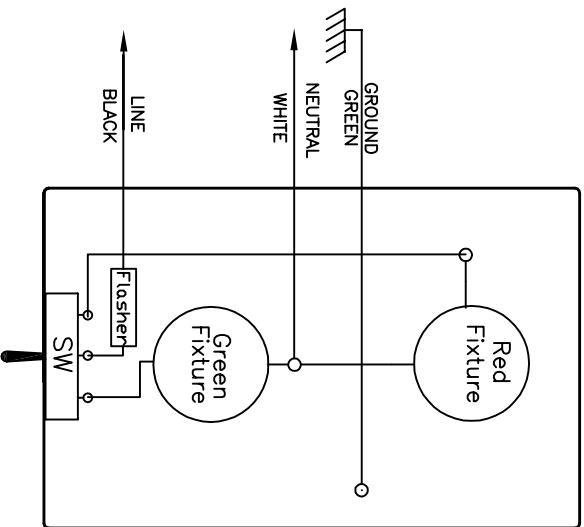
120 VAC MODELS

12 and 24 VDC MODELS

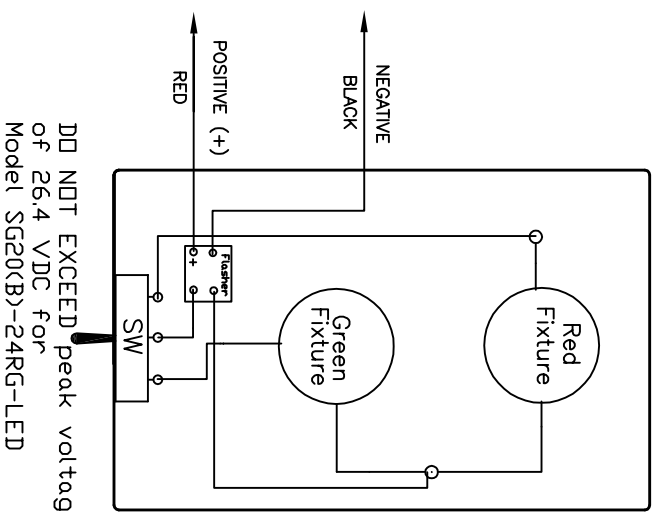
SG20(B)-115RG
with Incandescent Lamps



SG20(B)-115RG-LED
with LED Lamps



SG20(B)-12RG
SG20(B)-24RG
Incandescent & L.E.D. Lamps



DO NOT EXCEED peak voltages
of 26.4 VDC for
Model SG20(B)-24RG-LED



INSTALLATION INSTRUCTIONS

MODEL SG20-RG (INCANDESCENT LAMPS) and MODEL SG20-RG-LED (LED LAMPS) STOP & GO COMMUNICATION LIGHTS



1P23

MODEL: SG20 and SG20B (Black Housing)

The **SG20** is equipped with an internal logic switch and flasher circuitry. The lamps operate when the user provides the correct power. This model is intended for ‘stand alone’ use and NOT in conjunction with other Tri Lite SG signal light(s).

CAUTION:

- **SG20 with incandescent lamps require a flashing power supply to avoid heat damage to the lens. DO NOT DISABLE THE FLASHER CIRCUIT.**

INSTALLATION:

- 1) Choose a location within convenient distance of your power source that is clearly visible to users. The power connection can be made either through the underside of the housing by removing the plug and using the ½” EMT fitting provided, or through the back plate. The EMT fitting may be employed on the back panel as well.
- 2) Using the housing as a template, drill four (4) holes. If you are mounting to a brick or masonry wall, we recommend sizing the holes to accept ¼” diameter lag-type mounting hardware. For mounting to a surface with access to the rear, you may use appropriate fasteners and size the holes accordingly.
- 3) Use the gasket provided when mounting the unit to the wall to seal the back plate.

VOLTAGE REQUIREMENTS:

- Provide either AC or DC power to the 12 and 24-volt incandescent models.
- Provide **ONLY** DC power to the 12 and 24-volt LED models. **Important Note:** LED models require careful control of the DC input voltages if generated from AC power sources. Carefully measure “rectifying modules” that turn ac signals into dc signals and adjust the input ac voltages to insure the dc voltages **do not exceed a peak voltage of 26.4 DC**

Replacement Parts List

Part #	Incandescent Lamp Models	Part #	LED Models
203011	Red lens w/ housing	A16115R	Red signal assembly, 115 VAC
203012	Green lens w/ housing	A16115G	Green signal assembly, 115 VAC
420705	Lamp, type 25T7 , 120 V.	A1612R	Red signal assembly, 12 VDC
420336	Lamp, type 1156, 12 V	A1612G	Green signal assembly, 12 VDC
423036	Lamp, type 2023, 24 V	A1624R	Red signal assembly, 24 VDC
533004	Lamp harness, 120 VAC	A1624G	Green signal assembly, 24 VDC
533003	Lamp harness, 12/24 VDC	403005	Switch, SPDT center off
All SG 20 Models			
203014T	Housing, with rear panel	813008	Wall Gasket
410403	½” EMT fitting	353030	Flasher, 120 VAC
163296T	Flasher, 12 VDC	163295T	Flasher, 24 VDC