



# TB-8

## MARS 888 Warning Beacon



### Description

The famous MARS "888" Traffic Breaker provides a bright, oscillating light that is widely used on emergency vehicles. This warning beacon, with its unique gimbal mounted lamp, generates the familiar "figure eight" moving light pattern that alerts on-coming traffic to approaching emergency equipment. The TB8's distinctive light pattern aids in clearing the road, even in adverse conditions. The pedestal mounted light is in a corrosion resistant, polished, stainless steel housing that looks great on the apparatus. An alternative flush mounted unit is also available. Units are available with a red or clear lens.

### Electrical Specifications

Current ..... 3.1a at 12VDC  
Estimated Lamp Life ..... 300 hours  
Lamp Brightness ..... 60,000 cp\*

\*100,000 cp lamp optional



### Features

- Effective way to warn and clear on-coming traffic.
- Distictive oscillating "figure eight" light pattern demands attention.
- 60,000 candle power or optional 100,000 candle power sealed beam lamp provides superior illumination.
- Available in pedestal or flush mounting configuration.
- Customer choice of red or clear lens.
- Voltage options of 12 or 24VDC.

### Physical Specifications

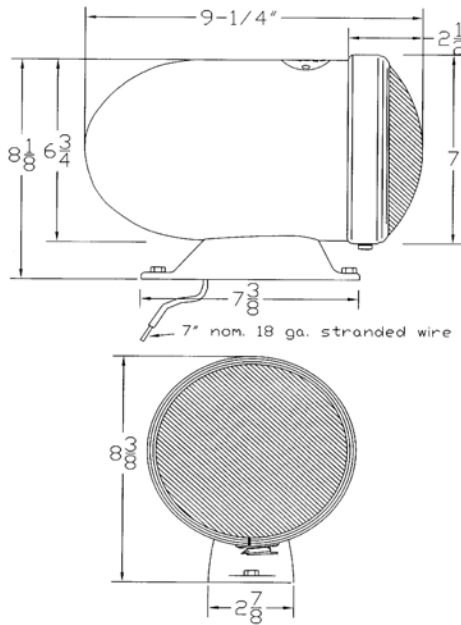
Height ..... 8 3/4"  
Diameter ..... 7"  
Length ..... 10"  
Shipping Weight ..... 10 lbs  
Shipping Volume ..... .095 ft<sup>3</sup>

\*Physical specifications are for pedestal mount model

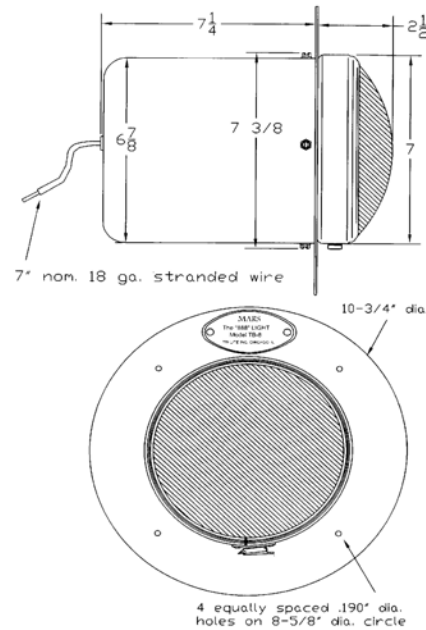


# TB-8

**Pedestal Mount Details**



**Flush Mount Details**



## Model Number Information

Variant	Product Number
12V Pedestal Mount.....	TB8-12P/*
12V Flush Mount.....	TB8-12F/*
24V Pedestal Mount.....	TB8-24P/*
24V Flush Mount.....	TB8-24F/*
100,000 CP Lamp Option.....	426007

\*Specify Lens Color  
C-Clear R-Red

## Replacement Part Information

Part	Part Number
Bracket, Pedestal Mount .....	136020
Bulb (60,000CP), 12V .....	426006
Bulb (100,000CP), 12V .....	426007
Large Gear Assembly .....	196001A
Small Gear .....	196007
Gasket, Lens .....	816014
Gasket, Base.....	816007
Clear Lens .....	226000
Red Lens .....	226001
Motor, 12V .....	166028T
Chrome Ring, Split .....	116000
Chrome Ring, Flush Mount .....	116001

**Call for more information on these additional Tri Lite / Mars Products!**

