



SKYBOLT™

DC Strobe Beacon

OUR BRIGHTEST
LED STROBE!

A Compact LED Strobe for Industrial Signaling

The Skybolt STLP mini-strobe is a bright new warning beacon from Tri Lite Mars. Driven by a powerful LUXEON LED, high intensity “pops” of light are seen through the finned lens of this unique beacon. A patent pending “light pipe” design ensures that light travels easily from an internal LED through the translucent outer fins, catching the eye of pedestrians, motorists, or shop personnel. Made from rugged polycarbonate, it’s virtually indestructible! Skybolt is watertight and will operate in all types of weather. Ideal uses include warning signaling for safety and utility vehicles, lift trucks, elevated work platforms, and heavy equipment. Available in clear or colored lenses to indicate warning for a variety of 12-36VDC signaling applications.

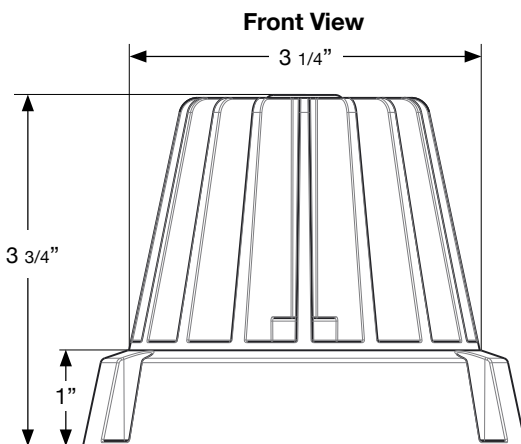
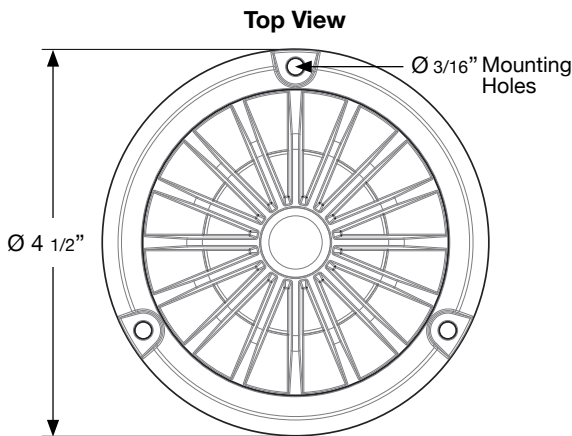


Lenses are available in five colors.

STLP-DC Specifications

This small unit ushers in a new look and a new era for the celebrated Skybolt product line, but there are other important updates to consider. The polycarbonate dome material is U.V. stable; it won't cloud or fade with sun exposure. It's impact resistant, utilizing a "solid star" design that can stand up to the harshest environments, eliminating the need for additional lamp guard accessories. This small but rugged beacon provides a reliable visual warning system that is safe to the user, and will last for years. Available in permanent or magnetic mounts.

Physical Specifications



Technical Specifications

Choose from permanent or magnetic mounts.

STLP-DCP/* - Permanent Mount

STLP-DCM/* - Magnetic Mount

Specify Dome Color: ***A**—Amber, ***B**—Blue,

***C**—Clear, ***G**—Green, ***R**—Red

12-36VDC, 1.5A (INTVL)

LUXEON LED emitter.

Domes and housing are made of shatter-resistant polycarbonate.

Ship weight: one pound.

Key Features

- Rated for continuous use
- Low power draw
- Quad strobe pattern
- Safe, solid state construction
- Patented Technology
- Made in USA of U.S. & foreign components



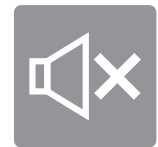
5-year warranty



Designed for impact



Waterproof



No electric noise

Visit us at www.triliteinc.com for a complete list of products and replacement parts.